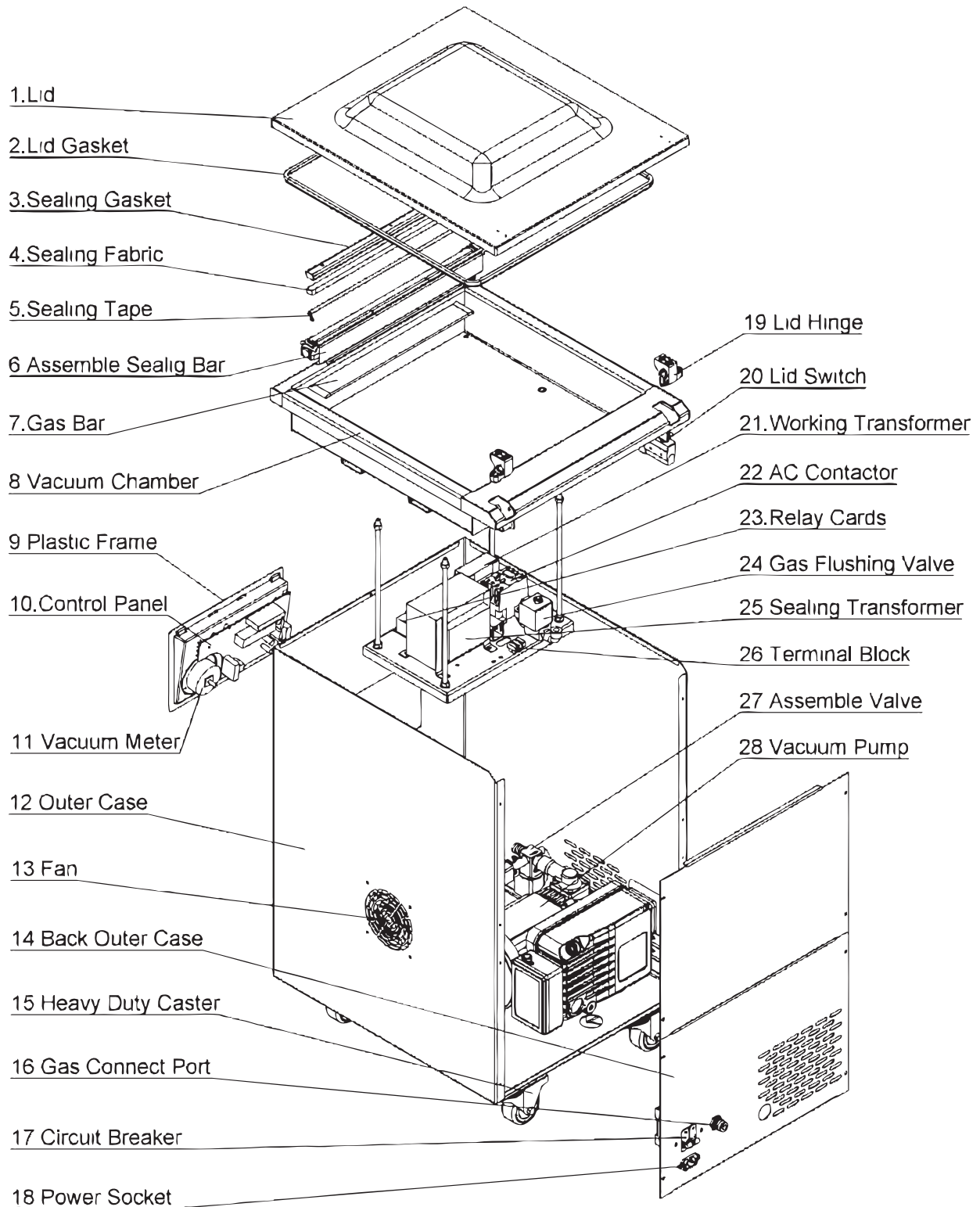


Parts Breakdown

Model VP-CN-1220 24082



Parts Breakdown

Model VP-CN-1220 24082

Item No.	Description	Position	Item No.	Description	Position	Item No.	Description	Position
AE472	Lid for 24082	1	AE479	Vacuum Meter for 24082	11	AE491	Gas Flushing Valve for 24082	24
AE473	Lid Gasket for 24082	2	AE487	Fan for 24082	13	AE495	Sealing Transformer for 24082	25
AE474	Sealing Gasket for 24082	3	AE488	Gas Connect Port for 24082	16	AE483	Assemble Valve for 24082	27
AE475	Sealing Fabric (10M/Roll) for 24082	4	AE492	Circuit Breaker for 24082	17	AE484	Vacuum Pump for 24082	28
AE476	Sealing Tape for 24082	5	AE489	Power Socket for 24082	18	AE482	Filter for 24082	
AE477	Assemble Sealing Bar for 24082	6	AE485	Lid Hinge for 24082	19	AE490	Power Switch for 24082	
AE478	Gas Bag for 24082	7	AE486	Lid Switch for 24082	20	AE496	PP Plate for 24082	
AE480	Plastic Frame for 24082	9	AE494	Working Transformer for 24082	21	AG794	Power Cord for 24082	
AE481	Control Panel for 24082	10	AE493	Relay Cards for 24082	23			